

To:
HOMEBIOGAS LTD
Reg. No. 514739325
P.O. Box 1672
Beit Yanai 4029300 Israel

PATENT PORTFOLIO STATUS REPORT

Executive Summary

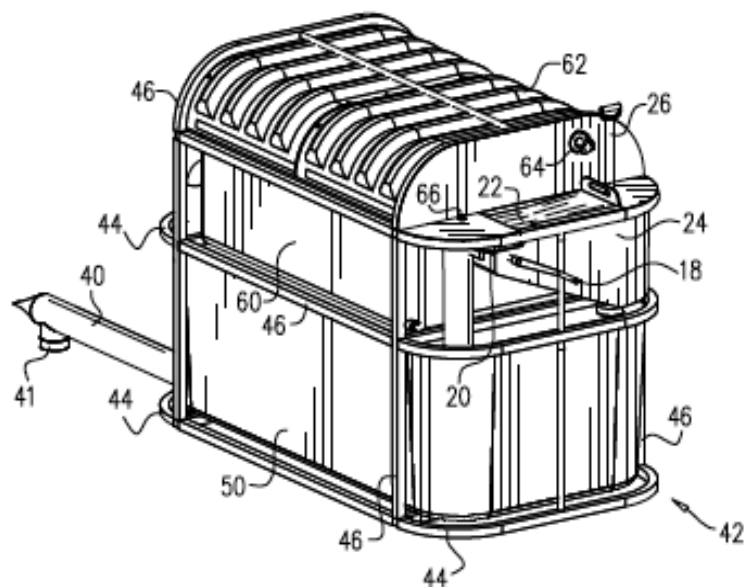
The portfolio of patents, elaborated in a more detail below, covers a self-sustained unit, for recycling of organic waste into a biogas useable for various household needs, as well as a liquid fertilizer, by a means of anaerobic digestion process.

The self-sustained unit covered by the patent portfolio is modular and configured for being transferred in a folded and compact form. The unit includes structural scaffolding easily assembled and deployed on site and a collapsible anaerobic digester, suspended from the beams of the structural scaffolding.

The collapsible anaerobic digester is made of welded polymeric sheets. Upon filling the anaerobic digester with liquid, the digester forms considerable ballast, conferring stability to the entire structure.

The patented unit is completely self-sustained and operates autonomously. Moreover, the unit is easily scalable, so that institutional and under kitchen sink configurations of the unit are also covered by the patent. The patented unit entails the following prominent benefits:

- Self-Sustained / Operating Autonomously
- Saves Energy / Provides Energy Source
- Enables Safe Disposal of Organic Waste
- Saves Greenhouse Gas Pollution
- Compact and Foldable for Transfer
- Easily Assembled and Deployed
- Versatile and Scalable in Size



Representative Drawing – 1st Patent Family

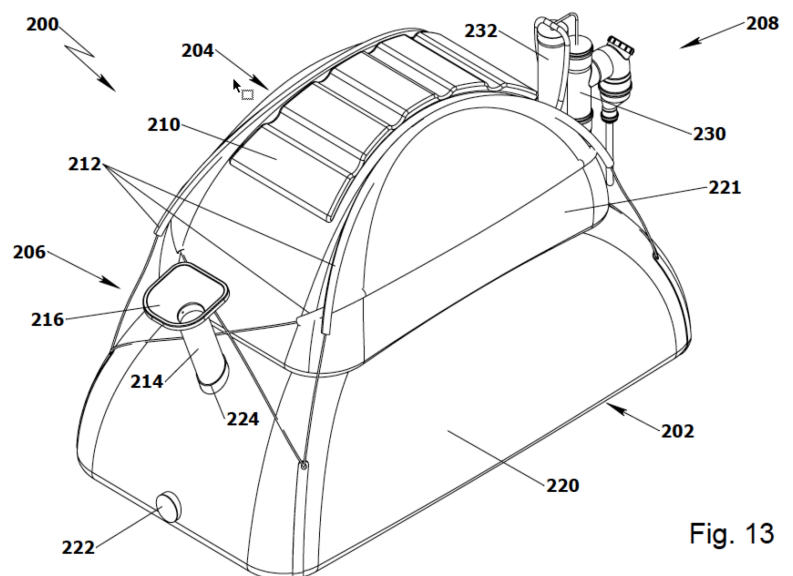
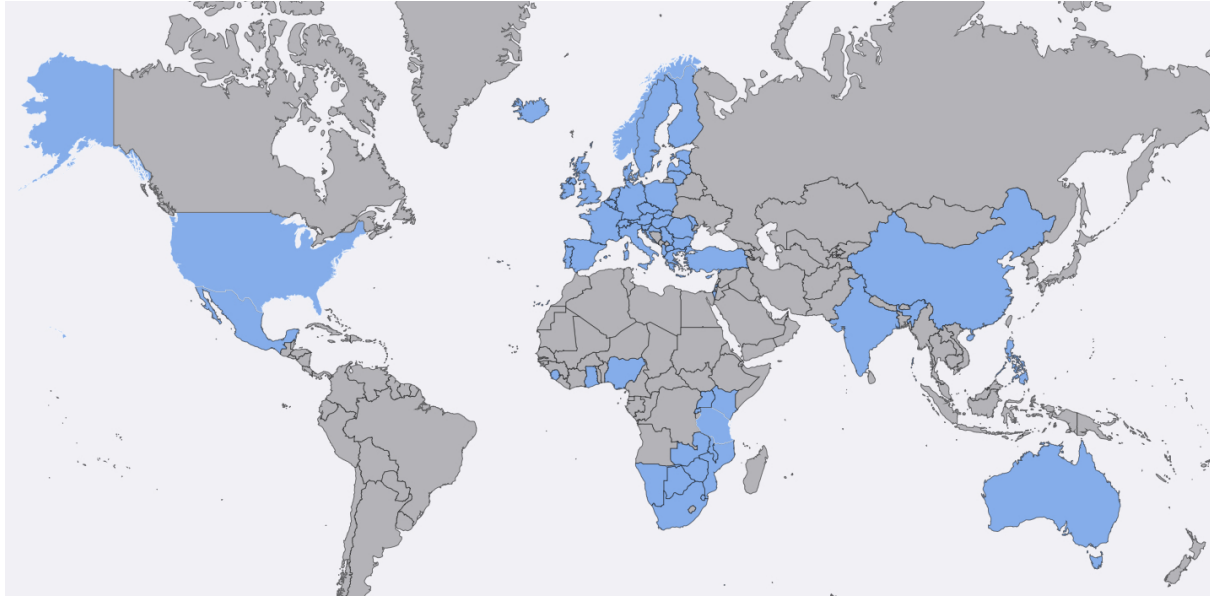


Fig. 13

Representative Drawing – 2nd Patent Family

Geographical Coverage



The portfolio includes two patent families. First patent family includes African Regional Intellectual Property Organization (ARIPO) patent application and granted European patent. First patent family further includes national patents in US, Australia and Nigeria as well as patent applications at the final stages of prosecution in: China, India, Mexico, Israel, South Africa and Philippines.

European regional patent was granted and validated in Germany and UK. African Regional Intellectual Property Organization (ARIPO) application has been designated into and actually covers the following states: includes: Botswana, Ghana, Kenya, Malawi, Mozambique, Namibia, Rwanda, Sierra Leone, Swaziland, Uganda, Tanzania, Zambia and Zimbabwe.

Second patent family includes US Continuation-in-Part patent application, international PCT application, patent application in China, utility model application in China, patent application in India and utility model application in Mexico.

Detailed Status Report

First Patent Family - International Patent Application Ser. No. [PCT/IB2013/061160](#) entitled LIGHTWEIGHT ASSEMBLABLE APPLIANCE AND RESPECTIVE METHOD FOR PRODUCTION OF BIOGAS AND LIQUID FERTILIZER has been entered into national/regional phase, as detailed hereunder.

An online copy of [PCT/IB2013/061160](#), with live links to full-text publication and PDF is available [here](#).

- 1) US Patent 9688585
Status: Granted, In Force
- 2) European Regional Patent 3010863
Status: Granted and Validated in Germany and UK

- 3) Australian Patent 2013392951
Status: Granted, In Force
- 4) Chinese National Phase Application - Ser. No. 2013800789586
Status: Allowed
- 5) Indian National Phase Application - Ser. No. 201617001594
Status: Filed, Undergoing Examination
- 6) Israel National Phase Application - Ser. No. 243244
Status: Filed, Allowed
- 7) Mexican National Phase Application - Ser. No. MX/a/2015/017766
Status: Filed, Undergoing Examination
- 8) African Regional Intellectual Property Organization (ARIPO) - Ser. No. AP/P/2016/009123
Status: Filed, Undergoing Allowance
Designated into: Botswana, Ghana, Kenya, Malawi, Mozambique, Namibia, Rwanda, Sierra Leone, Swaziland, Uganda, Tanzania, Zambia and Zimbabwe
- 9) South African National Phase Application - Ser. No. 2016/00343
Status: Undergoing Examination
- 10) Nigerian Patent NG/PT/C/2015/1662
Status: Granted, In Force
- 11) Philippine National Phase Application - Ser. No. 0600048
Status: Undergoing Examination

Second (New) Patent Family – A Priority Patent Application entitled LIGHTWEIGHT APPLIANCE WITH EXOSKELETAL SUPPORT RESPECTIVE KIT-OF-PARTS AND METHOD FOR PRODUCTION OF BIOGAS AND LIQUID FERTILIZER has been filed.

- 1) US Continuation-in-Part Application Ser. No. 15/632,367
Status: Filed, Awaiting Examination
- 2) International PCT Application Ser. No. PCT/IB2018/054643
Status: Filed

Kazakhstan (EA), Lao People's Democratic Republic, Saint Lucia, Liechtenstein (EP), Sri Lanka, Norway (EP), New Zealand, Oman, Panama, Peru, Papua New Guinea, Tunisia, Turkey (EP), Trinidad and Tobago, United Republic of Tanzania (AP), Ukraine, Canada, Equatorial Guinea (OA), Liberia (AP), Philippines, Uganda (AP), Central African Republic (OA), Greece (EP), Guatemala, Lesotho (AP), Lithuania (EP), Poland (EP), Portugal (EP), United States of America, Congo (OA), Guinea-Bissau (OA), Luxembourg (EP), Qatar, Uzbekistan, Switzerland (EP), Côte d'Ivoire (OA), Chile, Cameroon (OA), China, Colombia, Costa Rica, Honduras, Croatia (EP), Hungary (EP), Indonesia, Ireland (EP), Israel, India, Latvia (EP), Libya, Morocco, Monaco (EP), Republic of Moldova, Montenegro, Romania (EP), Serbia (EP), Russian Federation (EA), Rwanda (AP), Saudi Arabia, Seychelles, Saint Vincent and the Grenadines, Viet Nam, South Africa, Zambia (AP) and Zimbabwe (AP), depending on which states PCT national/regional phase applications will be actually filed.

Sincerely,




Andrey Vapniarsky
Advocate | Patent Attorney